

Warewashing
Small Double Skin Glasswasher, 1 cycle,
rinse booster, drain pump and rinse aid
dispenser, 60b/h

ITEM # _____

MODEL # _____

NAME # _____

SIS # _____

AIA # _____


402204 (ESICBP6)

Glasswasher (small), with double skin, cold rinse, built-in rinse booster pump, drain pump and rinse aid dispenser, 1 cycle, 60b/h - no plug - 60Hz

Short Form Specification

Item No. _____

Unit shall be Electrolux Professional green&clean Glasswasher type hot water rinsing using rack dimension of 400*400mm. Electrical characteristics to be 230 volts single phase 60Hz operation with one wash cycle of 60 seconds. Washing performance is ensured by a powerful wash pump, revolving washing spray arms from both bottom and top. Rinse temperature and pressure guaranteed by built in pressure boiler. The cold rinse cycle provides hygiene glasses and cold enough to handle. Double skinned counter-balance door. Large door opening of 290mm for washing tall glasses. Double skinned cabinet. Pressed tank with round corners. 304 stainless steel construction to include door, frame, wash tank, wash arms and rinse arms. The unit shall include rinse booster pump, drain pump and rinse aid dispenser pump and is equipped with electric cable.

Main Features

- Deep drawn pressed wash tank with fully rounded corners, sloped towards the drain to prevent dirt build up provides fast drainage in only a few minutes. Pressed wash tank with no welded points offer a guaranteed water tight solution.
- Low noise level.
- 120 seconds cycle.
- Built-in pressure boiler designed to raise incoming water to a guaranteed minimum temperature of 82° C for sanitizing rinse. No external boiler is required.
- Maximum capacity of 30 racks per hour.
- Washing system endowed with rotating washing arms from both top and bottom, high powered wash pump and large capacity wash tank guarantee professional washing.
- Easy service access to main components without moving the unit.
- Equipped with drain pump for easy and quick installation without opening the machine.
- Built-in rinse aid dispenser with automatic initial and continuous cycle loading for perfect result while minimizing service and maintenance needs.
- Extra program to cold rinse beer and wine glasses providing sanitized glasses, cool enough to handle.
- Equipped with single phase electric cable for easy and fast installation.
- Built in rinse booster pump allows to connect to low water pressure.

Construction

- Completely closed on the back by a cover plate.
- Wash/rinse arms and nozzles in stainless steel.
- Finished in top quality stainless steel with double skinned construction to aid durability and reduce noise.
- Internal components (arms and filter) are easy extractable.
- Unit to feature rinse aid dispenser pump.

Sustainability

- 304 AISI stainless steel front panel, load bearing frame, wash tank, wash and rinse arms.
- Simple operation control panel.
- Insulated double skin door construction preserves heat inside the tank to lower energy consumption and the noise. Counter-balance mechanism minimizes impact when opening and closing.

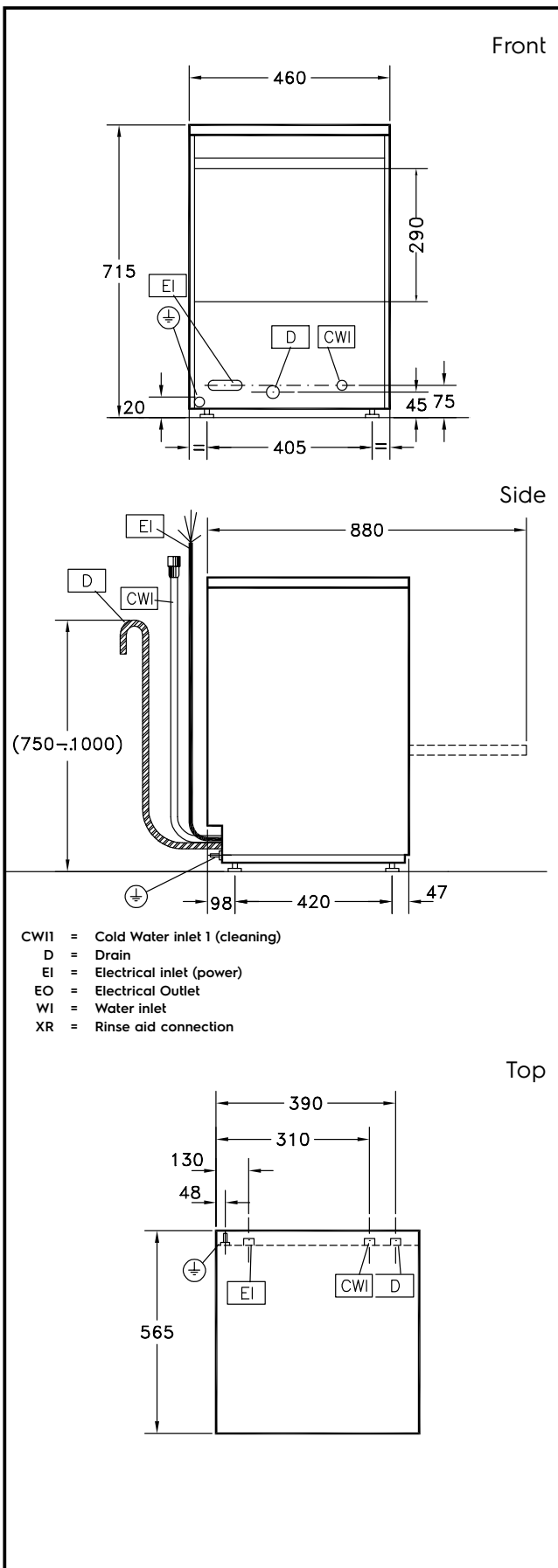
APPROVAL: _____

Included Accessories

- 1 of Square basket for glasses 400x400x150mm PNC 864470
- 2 of Insert for 12 saucers, 290X90x75mm PNC 867048

Optional Accessories

- 12lt external manual water softener PNC 860412
- 8lt external automatic water softener PNC 860413
- 20lt external manual water softener PNC 860430
- Filter for partial demineralization PNC 864017
- Kit to measure total and partial water hardness PNC 864050
- Yellow cutlery container PNC 864242
- Filter for total demineralization PNC 864367
- Pressure reducer for single tank dishwasher PNC 864461
- Kit 4 plastic boxes for cutlery - yellow PNC 865574
- Cover rack for small and light items (500x500 baskets) PNC 867016
- Basket for glasses (395x395x115) PNC 867033
- Basket for 16 plates diam.190 mm, 8 plates diam. 240 mm PNC 867052
- Basket for glasses (h 100 mm) PNC 867053
- Basket for glasses (h 200 mm) PNC 867054
- Basket for glasses and saucers/ cutlery inserts PNC 867055
- Basket for glasses with angled base PNC 867056
- Round basket kit with square frame PNC 867057
- Insert for "flute" glasses PNC 867058
- Insert for 14 saucers PNC 867060
- Inclined insert for cups PNC 867061
- Insert for 7 plates d. 240mm PNC 867062



Electric

| | |
|---------------------------------|----------------------|
| Supply voltage: | |
| 402204 (ESICBP6) | 220-230 V/1 ph/60 Hz |
| Default Installed Power: | 3.3 kW |
| Boiler heating elements: | 3 kW |
| Tank heating elements: | 0,8 kW |
| Wash pump size: | 0.3 kW |

Water:

| | |
|--|----------|
| Pressure, bar min/max: | 1-3 bar |
| Water supply temperature*: | 15-60 °C |
| Drain line size: | 27mm |
| Washing tank capacity (lt): | 6 |
| Water consumption per cycle (lt): | 0 / 2.3 |
| Boiler Capacity (lt): | 5 |
| Incoming water line size: | G 3/4" |

Key Information:

| | |
|--|--------------------|
| Baskets per hour (fast*/ | |
| glasses*/multipurpose&cups/ | |
| intensive*/MyEco): | 60 / 0 / 0 / 0 / |
| Working cycles time (sec.): | 60 / / / / |
| Wash temperature: | 55-65°C |
| Cell dimensions - width: | 400 mm |
| Cell dimensions - depth: | 400 mm |
| Cell dimensions - height: | 290 mm |
| Rinse temperature: | 80-90 °C |
| External dimensions, Width: | 460 mm |
| External dimensions, Depth: | 565 mm |
| External dimensions, Height: | 715 mm |
| Net weight: | 41.7 kg |
| Shipping weight: | 46 kg |
| Shipping height: | 900 mm |
| Shipping width: | 520 mm |
| Shipping depth: | 640 mm |
| Shipping volume: | 0.3 m ³ |

Sustainability

| | |
|---------------------|--------|
| Noise level: | 61 dBA |
|---------------------|--------|